



Project Distribution Ltd  
 Unit 1 Sun Street, Stoke on Trent ST1 4JW  
 Tel:01782 280289 Fax: 01782 215955  
 www.prodis.co.uk sales@project-distribution.co.uk

Project

Location

Item#

QTY

Model:  
C135

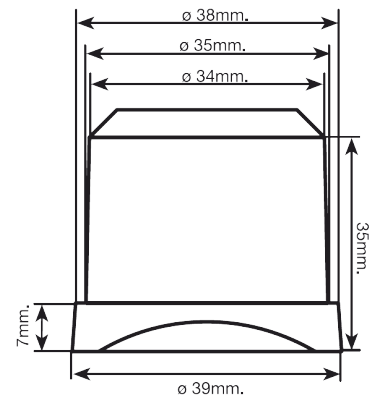
Icemaker - Gourmet Ice Production  
 135kg production, 60kg storage



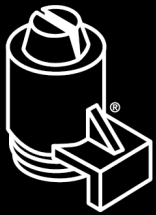
### General Information

The Prodis C135, benefits from a 135kg production per 24 hours and a 60kg storage bin this icemaker produces gourmet shaped ice.

### M Cube 22gr C35, C45, C60, C80, C135



SPRAY SYSTEM



**Ice  
Intelligence.**

#### Key Features

#### Construction

#### Available Options

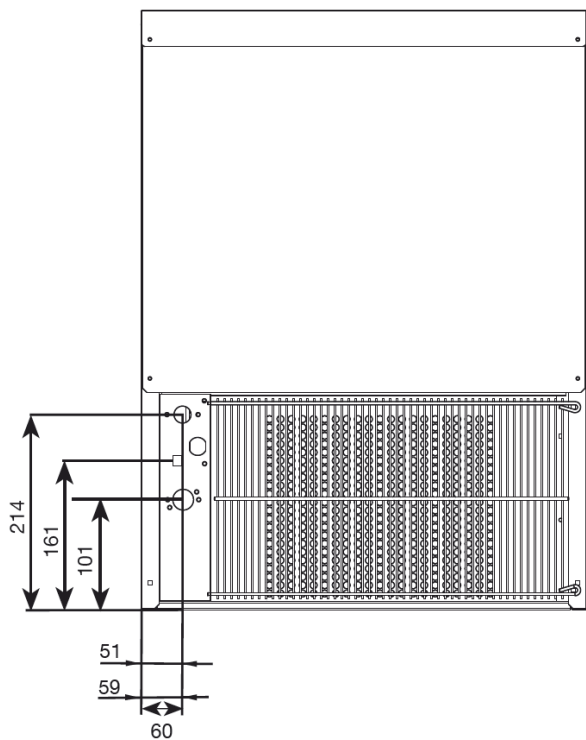
- Spray system ice formation
- Tropicalised compressor
- Front venting
- Low total power consumption
- Elastic spray jets prevent blocking
- Low maintenance seal free pump
- Air cooled condenser

- Painted steel exterior
- Plastic door

- Evapure 4H water filter

## Technical Data

Model	C135
Production / 24 hours	135kg
Storage bin	60kg
Ice shape	Gourmet
Defrost type	Hot gas
Condenser type	Air
Evaporator	Static / Cup
External Dimensions	Width = 930 Depth = 565 Height = 915
Interior Finish	Food safe plastic
Exterior Finish	Plastic coated steel
Power supply	230v 50hz
Power rating	1150w
Refrigerant	R404a



Approvals	Available At	Document #
 