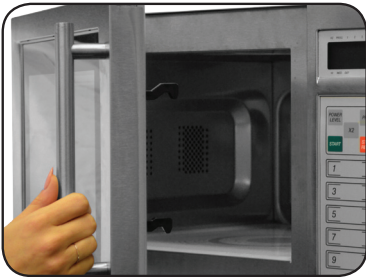
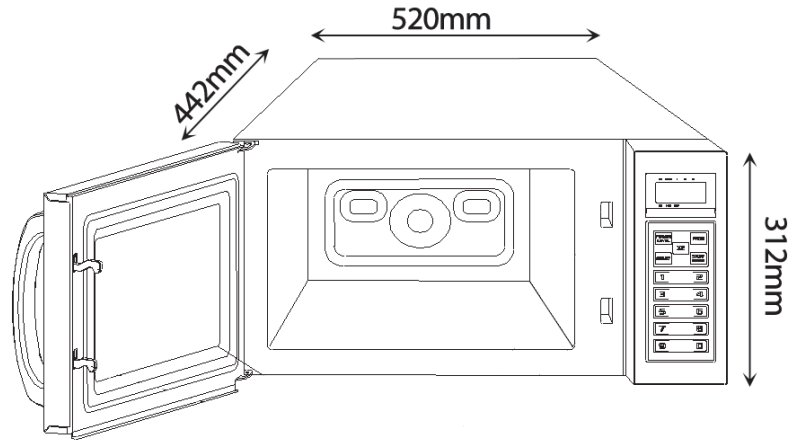


Model:  
 CMW10

Commercial Programmable Microwave  
 1kw, 23 litre capacity



Technical Drawing



Key Features

Construction

Available Options

- Light duty 1kw microwave
- 10 programmable keys
- 23 litre cavity
- 3 power levels
- 99 minute timer
- Interior light
- Sealed in ceramic base
- No turntable, entire base can be utilised
- Easy to clean
- Bright blue LCD display

- Stainless steel exterior
- Stainless steel interior
- Stainless steel door handle

## Technical Data

Model	CMW10
External Dimensions	Width = 520 Depth = 442 Height = 312
Power	1kw
Control	Touch
Programs	99
Power levels	3
Capacity	23 litres
Cavity Dimensions	Width = 335 Depth = 364 Height = 212
Net Weight	17.7kg
Gross Weight	19.3kg
Total Power Rating	1500w



Approvals

Available At

Document #

