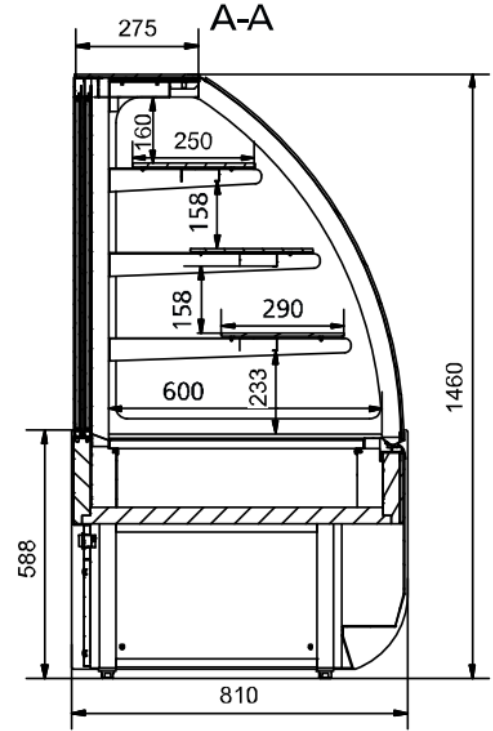


Model:
 CAL10HO

Coldkit Calabria CAL10HO
 1 Metre, Curved Glass, Heated Grab & Go Patisserie Counter

Technical Drawing



Key Features

- +75°C to +90°C temperature range
- 4 display levels
- Stainless steel base
- Fully lit interior

Construction

- Double glazed side glass
- White / stone grey finish

Available Options

- Custom colour front panels
- Wood effect front panels
- LED lighting
- Castors

Technical Data

Model	CAL10HO
Display Area	1.5m ²
External Dimensions	Width = 1000 Depth = 810 Height = 1375
Interior Finish	White
Exterior Finish	Grey / White
Internal Lighting	✓
Internal Lighting Type	Fluorescent
Light switch	✓
Light switch position	Externally mounted
Temperature control	Thermostat
Temperature control position	External
Temperature range	+75°c to +90°
Refrigerant	N/A



Approvals	Available At	Document #
 		