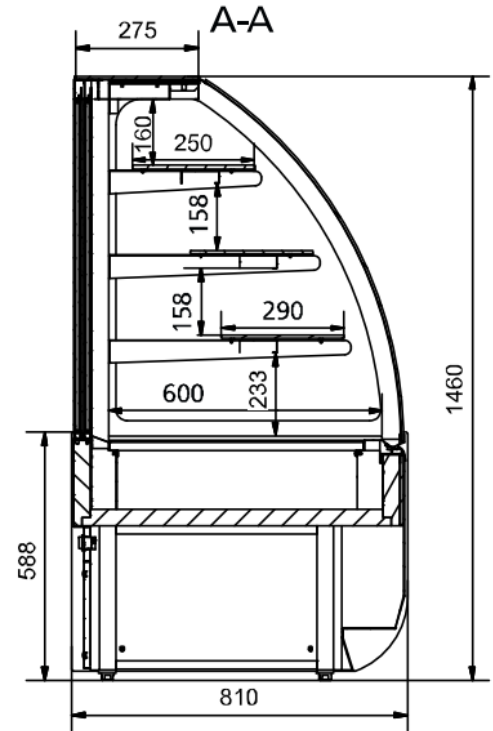


Model: CAL10R Coldkit Calabria CAL10R
 1 Metre, Curved Glass, Refrigerated Patisserie Counter

Technical Drawing



Key Features

- +3°C to +10°C temperature range
- Fan assisted cooling
- Automatic defrost
- Automatic evaporation
- 4 display levels
- Stainless steel base
- Fully lit interior
- R404a refrigerant

Construction

- Double glazed front curved glass
- Double glazed rear doors
- Double glazed side glass
- White / stone grey finish

Available Options

- Custom colour front panels
- Wood effect front panels
- LED lighting
- Castors

Technical Data

Model	CAL10R
Display Area	1.5m ²
External Dimensions	Width = 1000 Depth = 810 Height = 1375
Interior Finish	White
Exterior Finish	Grey / White
Internal Lighting	✓
Internal Lighting Type	Fluorescent
Light switch	✓
Light switch position	Externally mounted
Temperature control	Digital
Temperature control position	External
Temperature range	+3°C to +10°C
Refrigerant	R404a



Approvals	Available At	Document #
 		