



Project Distribution Ltd
 Unit 1 Sun Street, Stoke on Trent ST1 4JW
 Tel:01782 280289 Fax: 01782 215955
 www.prodis.co.uk sales@project-distribution.co.uk

Project

Location

Item#

QTY

Model:
C60

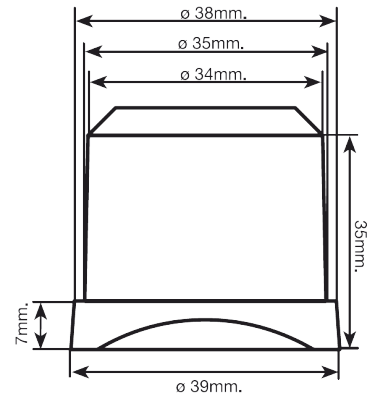
Icemaker - Gourmet Ice Production
62kg production, 30kg storage



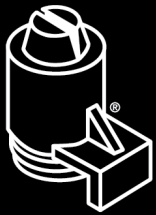
General Information

The Prodis C60, benefits from a 62kg production per 24 hours and a 30kg storage bin this icemaker produces gourmet shaped ice.

M Cube 22gr C35, C45, C60, C80, C135



SPRAY SYSTEM



Ice Intelligence.

Key Features

Construction

Available Options

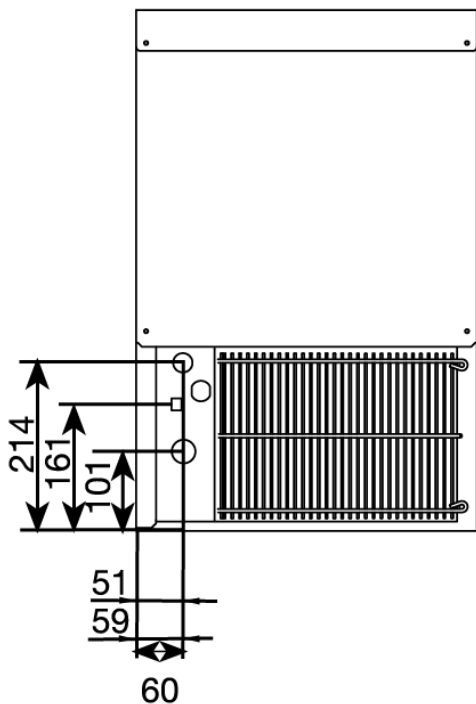
- Spray system ice formation
- Tropicalised compressor
- Front venting
- Low total power consumption
- Elastic spray jets prevent blocking
- Low maintenance seal free pump
- Air cooled condenser

- Painted steel exterior
- Plastic door

- Everpure 4H water filter

Technical Data

Model	C60
Production / 24 hours	62kg
Storage bin	30kg
Ice shape	Gourmet
Defrost type	Hot gas
Condenser type	Air
Evaporator	Static / Cup
External Dimensions	Width = 515 Depth = 645 Height = 840
Interior Finish	Food safe plastic
Exterior Finish	Plastic coated steel
Power supply	230v 50hz
Power rating	0.46kw
Refrigerant	R290



Approvals	Available At	Document #
 